



Quick Info

CRI ≥ 80 /90

2700K, 3000K, 4000K

Up to 85 lm/W

Non-Dimmable/ Dali-Dimmable

SDCM<3

Lens

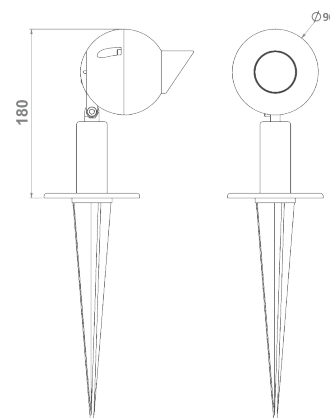
L70 @50,000h

Aluminium Die-Cast

Types

Spike Mounted

Single Line Diagram

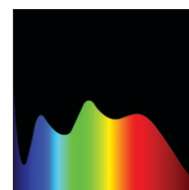


MINI SPIKE LIGHT

The Z Ball mini spike light :

- Luminaire housing of Die-Cast Aluminium
- IP66, High Ingress Protection against dust & moisture
- The built quality ensures long and maintenance free service life
- High lumen light for landscape applications
- Powerful and precise optics
- Energy-efficient LED with high colour rendering
- Wide range of applications including trees up to 10 metres high

Light Distribution



CRI ≥ 80/90

MINI SPIKE LIGHT



| Product Order Code | System Power | Dimensions |
|--------------------|--------------|----------------------|
| 1510 | 10W | Dia=90mm, H=180mm |

Order Options

CCT (Colour Temperature)

2700K
3000K
4000K

CRI

>80
>90

Beam Angle

Narrow
Medium
Wide

Control

Non-Dimmable
Dali-Dimmable



Mounting Type

Spike Mounted

Material Colour

Black
Grey

